

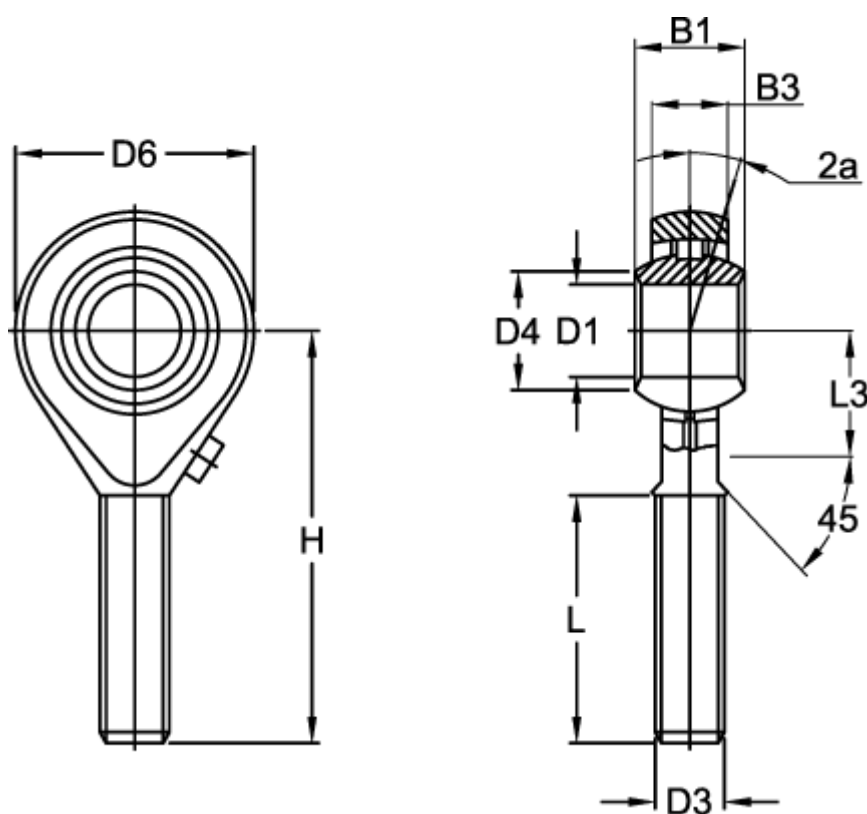
# Data Sheet



Article number: 03701016

Description: Fluro rod end BRTM 16 L  
threaded left with roller bearing

## Measures



Angel 2a	= 7.0	H	= 66
B1	= 21	L	= 40
B3	= 15	L3	= 22
D1	= 16	Max rpm	= 975
D3	= M16x2	Static load (N)	= 8900
D4	= 19.0	Weight (kg)	= 0.185
D6	= 42		
Dynamic load C (N)	= 13300.0		